

GENERAL FEATURE

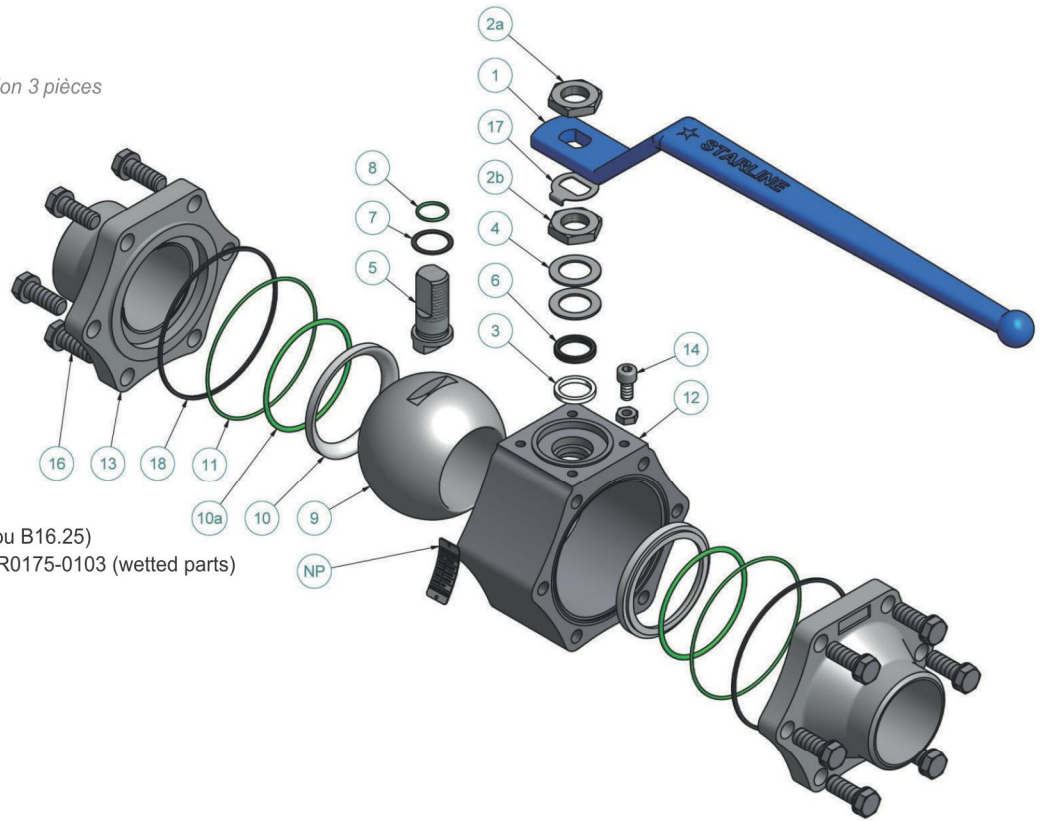
Floating ball / Boisseau flottant
3 pieces Construction / Construction 3 pièces
Full bore / Passage intégral
Soft seat / Siège souple
Bidirectional
TA-LUFT
Anti Blow out proof stem.
Autoadjustable packing.
Anti static device.
Self-cavity relief

STANDARDS

Marking : MSS SP25
Top flange ISO 5211
Testing API 598, Rate A
Design : selon B16-34
SW Connections : ASME B16.11
BW Connections : ASME B16.5 (ou B16.25)
MATERIAL : ASTM and NACE MR0175-0103 (wetted parts)

OFFICIAL APPROVALS

CERTIFICATE FIRE SAFE
ISO 15848 RATE B
ATEX 94-9EC
PED Module H CAT III
SIL 3
EN 161/EN 264



| ITEM NO | QTY | PART NAME | NOMENCLATURE | CARBON STEEL MATERIAL 115 SGSG-CL600 | STAINLESS STEEL MATERIAL 116 SGSG-CL600 |
|---------|--------------------|-----------------|--------------------------|--|--|
| NP | 1 | Name plate | Plaque d'indentification | AISI 316 | AISI 316 |
| 1 | 1 | Handle | Levier | Carbon steel + Epoxy coated ^{Note1} | Carbon steel + Epoxy coated ^{Note1} |
| 2a | 2 | Handle nut | Ecrou levier | AISI 316 | AISI 316 |
| 2b | | | | | |
| 3 | 2 | Packing ring | Garniture | Graphite | Graphite |
| 4 | 2 | Spring washers | Rondelle ressort | AISI 316 Treated | AISI 316 Treated |
| 5 | 1 | Antistatic stem | Tige antistatique | AISI 316/316L Dual Certified | AISI 316/316L Dual Certified |
| 6 | 1 | Gland packing | Fouloir | AISI 316 | AISI 316 |
| 7 | 1 | Thrust washer | Rondelle butée | PTFE | PTFE |
| 8 | 1 | "O" ring stem | Joint torique | Viton | Viton |
| 9 | 1 | Ball | Sphère | AISI 316/316L Dual Certified | AISI 316/316L Dual Certified |
| 10 | 2 | Seats | Sièges | "RPTFE" | "RPTFE" |
| 10a | 2 | Seats gasket | Joint de sièges | Viton | Viton |
| 11 | 2 | 1° Body seals | 1° Joint de corps | "RPTFE" | "RPTFE" |
| 12 | 1 | Body | Corps | LF2 | AISI 316/316L Dual Certified |
| 13 | 2 | End connections | Embout | LF2 | AISI 316/316L Dual Certified |
| 14 | 1 | Stop-pin | Butée | AISI 316 | AISI 316 |
| 16 | 12 | Bolts | Vis | L7 + Zinc Plated | B8 |
| 17 | 1 ^{Note2} | Stop washer | Rondelle frein | AISI 316 | AISI 316 |
| 18 | 2 | 2° Body seals | 2° Joint de corps | Graphite | Graphite |

Note 1: Carbon Steel + Plastic for DN65 - 2.1/2"

Note 2: Qty 0 for DN 65 - 2.1/2"

SUPER STAR N°1

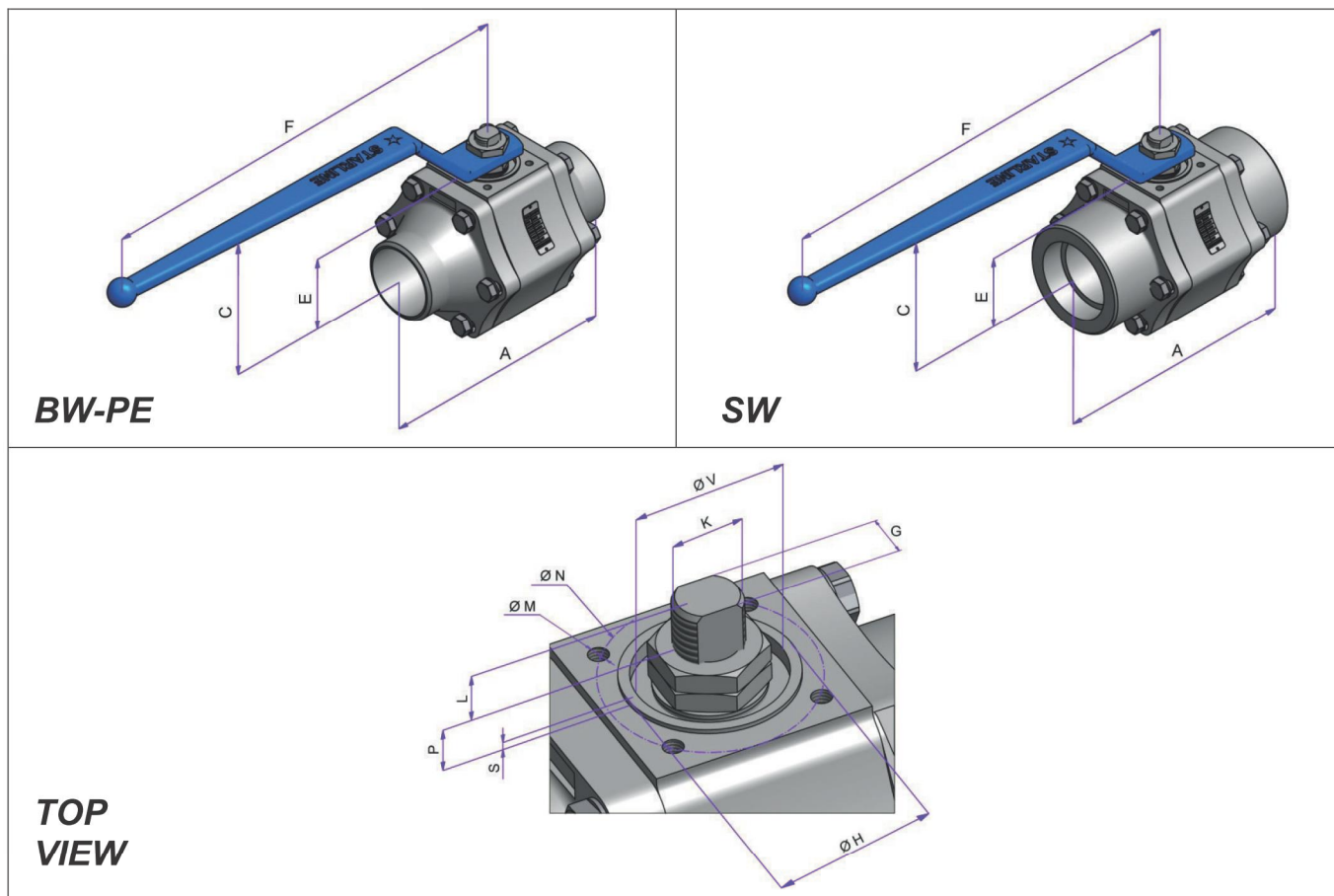
FLOATING BALL VALVE

CLASS 600 - DN50-65 FB - 2.1/2" FB

RACCORDEMENT A SOUDER

Fig: 115SGS /116SGS

WELDING ENDS

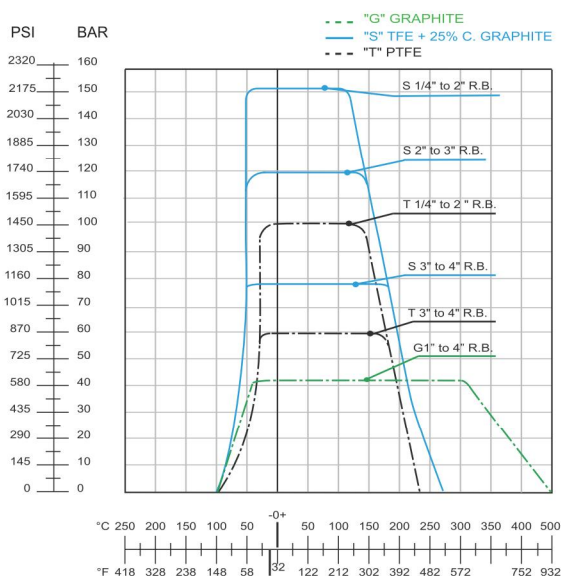


| FULL BORE | | | | | | | | TOP MOUNTING | | | | | | | | | | ISO 5211 | TORQUE [N.m] | MAST [N.m] |
|-----------------|---------|------------------|------|-----|------|-----|----------|---------------|-------------------|-----|----|---------|-----|----|----|-------|-----|----------|--------------|------------|
| VALVE SIZE | | DIMENSION [mm] | | | | | | WEIGHT [kg] | DIMENSIONS [mm] | | | | | | | | | | | |
| NPS | DN | A | BORE | C | E | F | BW-PE-SW | L | P | S | V | K | G | H | N | M | | | | |
| 2" x 2" | 50 x 50 | 191 | 49 | 122 | 58.7 | 218 | 7 | 12.5 | 12.5 | 1.5 | 30 | M15x1.5 | 8.9 | 35 | 50 | M6x10 | F05 | 80 | 180 | |
| 2.1/2" x 2.1/2" | 65 x 65 | 210 | 62 | 136 | 70 | 420 | 14 | 17 | 18 | 1.5 | 48 | M22x1.5 | 16 | 55 | 70 | M8x12 | F07 | 92 | 386 | |

- Net torque measured with clean water at ambient temperature

- Mast for AISI 316 material

PRESSURE/TEMPERATURE LIMITATION OF SEAT SEAL (according working conditions)



DIFFERENT CONFIGURATIONS (others on request)

